



OFFICE MINISIZE T5

IP 20

Aluminum, polycarbonate
External electronic ballast
Louver

OPTIONAL

Uplight
Dimming
Colored end caps
Emergency ballast
Linear spread lens
Interconnection
Hard wired flex conduit

COLORS

Grey (N)
White (W)

POWER FEED

Hard wired cord

MOUNTING

Pendant

LIGHTSOURCE

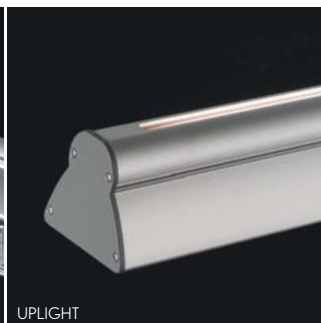
T5 tube

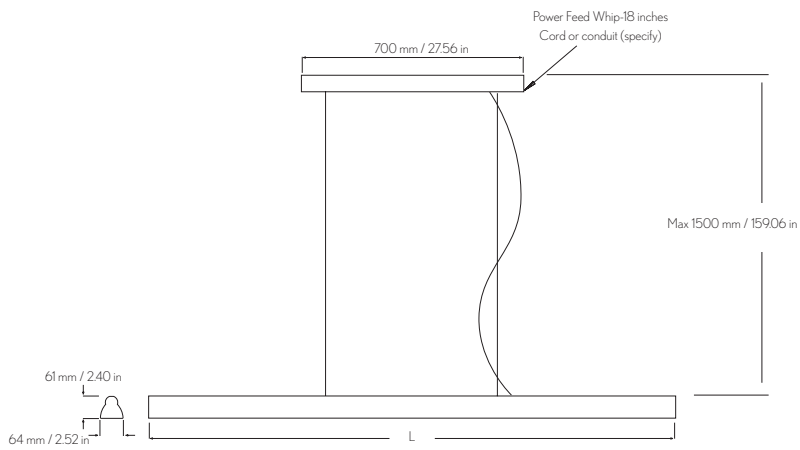


Standard



Optional



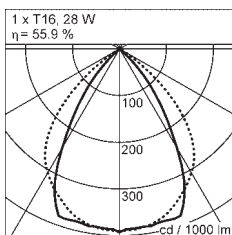


Art	Name	L	Type
MPE14	Office	605 mm / 23.02 in	14 W/830
MPE21	Office	905 mm / 35.63 in	21 W/830
MPE28	Office	1205 mm / 47.44 in	28 W/830
MPE35	Office	1505 mm / 59.25 in	35 W/830
MPE221	Office	1805 mm / 71.06 in	2x21 W/830
MPE228	Office	2405 mm / 94.69 in	2x28 W/830
MPE235	Office	3005 mm / 118.31 in	2x35 W/830

Other length on request. Length includes endcaps.

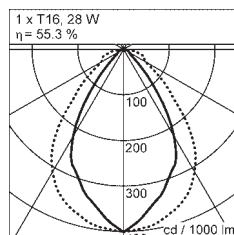
LIGHT OUTPUT

Optional



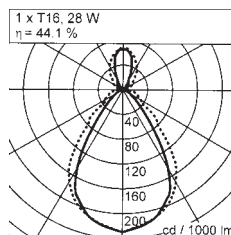
LOUVER

Optional



LINEAR SPREAD LENS

Standard



LOUVER & UPLIGHT

ACCESSORIES

